

channel change links

© TAIT ELECTRONICS				
BACKPLANE RX-ONLY+CH/PNL+ALARM				
IPN: 220-01562-00		ISSUE: A		ID: 2.SC. 1
PROJECT: T800-22	DESIGNER: PAUL G	FILE NAME: 156200A	FILE DATE: 24/08/98	NO.SHEETS: 1

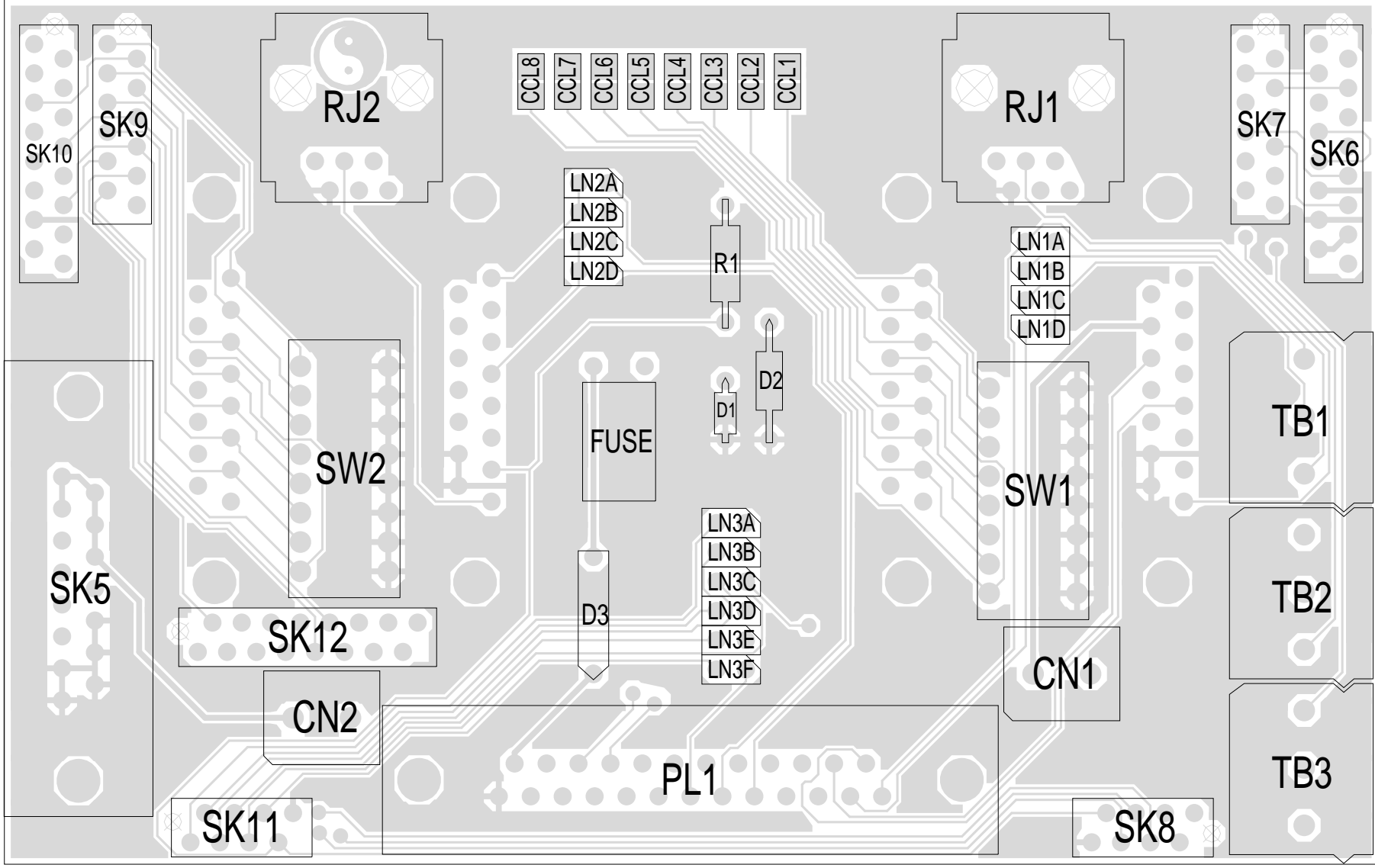
REV/ISS	AMENDMENTS	DRAWN	CHKD	D.O.	APVD	DATE

4

3

2

1



A

B

C

D

E

TAIT ELECTRONICS	IPN: 220-01562-00	ISS: A	ID: 1.TA	DATE: 8 Sep 1998
220-01562-00 PCB LAYOUT - TOP SIDE				

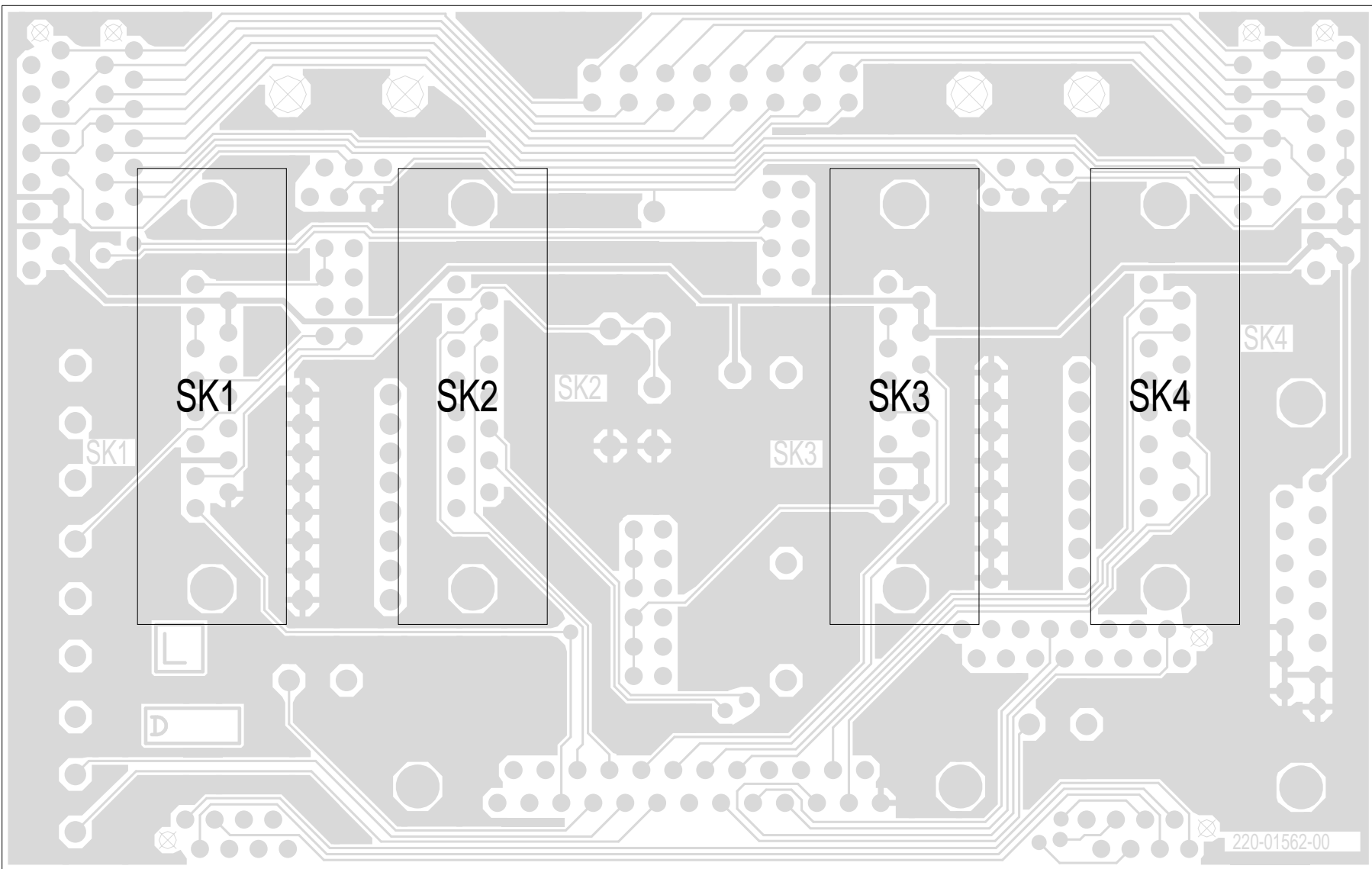
Scale: 2:0:1 ; Rotation: 0 degrees

4

3

2

1



TAIT ELECTRONICS	PN:	ISS:	DATE:
	220-01562-00	A	8 Sep 1998
220-01562-00 PCB LAYOUT - BOTTOM SIDE			
Scale: 2:0:1	Rotation:	0 degrees	

E

D

C

B

A